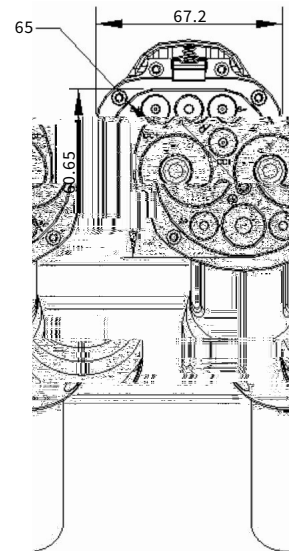
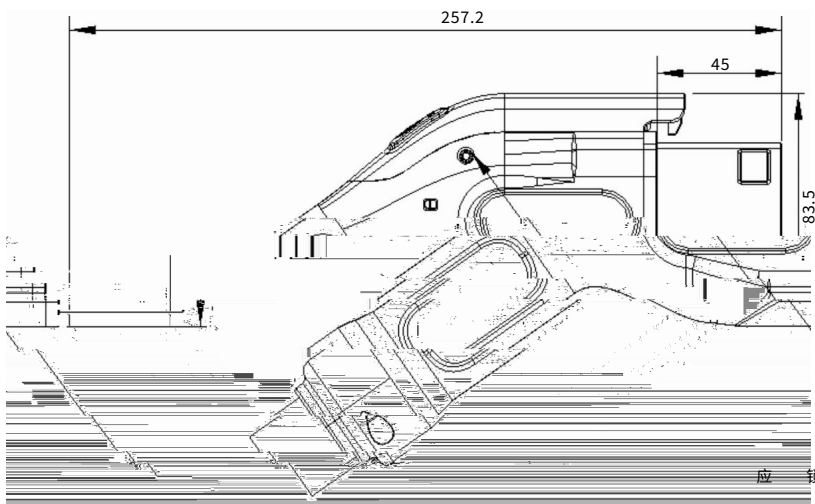
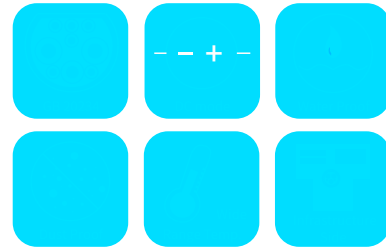
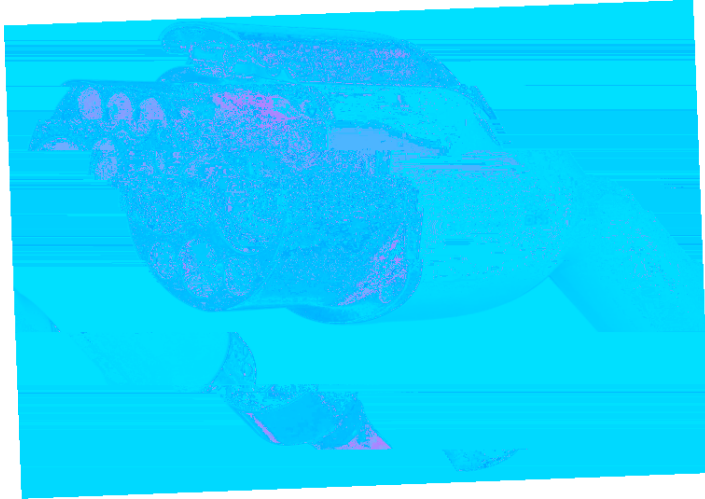


Charging Connector Series

第二代小直流充电枪

The Second Low DC Charging Connector



1000V DC
20-80A
≥500MΩ
3500V AC
≥10000 cycles (no-load)
F<140N
IP55
-30°C~+50°C
UL94V-0
马达锁 electric motor